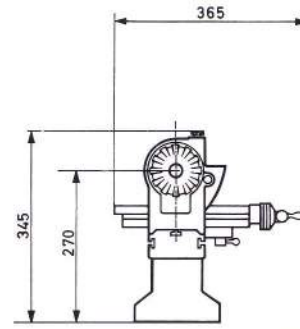
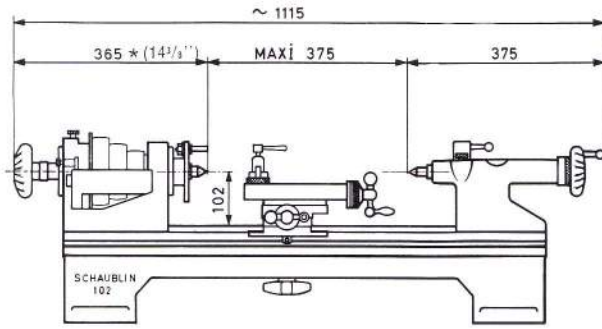


# SPECIFICATION OF SCHAUBLIN 102 LATHES AND BASE 102-80

(for tables of speeds see pages 15, 20 and 21)

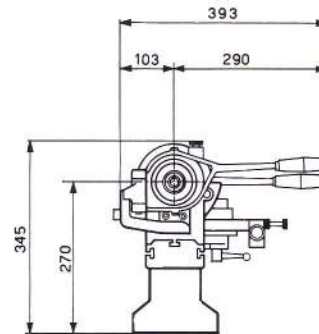
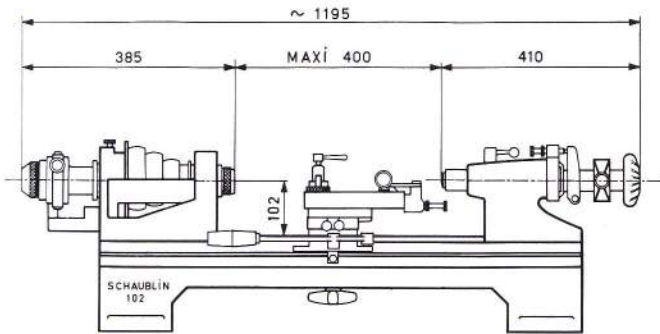
**Note:** The English Dimensions and Weights in this catalogue are indicated for comparison purposes only. For exact details refer to the Metric figures.

Capacities		Toolmaker's lathe	Second-operation lathe	Turret lathe	
Height of centres	mm (in.)	102 (4")	102 (4")	102 (4")	
Distance between centres with headstock without reduction unit	mm (in.)	375 (14 3/4")	—	—	
Distance between centres with headstock with reduction unit	mm (in.)	300 (11 13/16")	—	—	
Distance between type W headstock and tailstock	mm (in.)	—	400 (15 3/4")	—	
Distance between type F headstock and tailstock	mm (in.)	—	370 (14 5/8")	—	
Distance between type W headstock and turret	mm (in.)	—	—	300 (11 13/16")	
Distance between type F headstock and turret	mm (in.)	—	—	250 (9 7/8")	
<b>Bed</b>					
Length	mm (in.)	900 (35 7/16")	900 (35 7/16")	900 (35 7/16")	
Height	mm (in.)	168 (6 5/8")	168 (6 5/8")	168 (6 5/8")	
<b>Headstocks for collets</b>					
	type	W 20*	W 20*	F 27	F 38
Spindle bore	mm (in.)	20 (3/16")	20 (3/16")	27 (1 1/16")	38 (1 1/2")
Maximum bore through collet	mm (in.)	14.5 (9/16")	14.5 (9/16")	22 (7/8")	32 (1 1/4")
Width of pulley steps (see page 22)	mm (in.)	32 (1 1/4")	32 (1 1/4")	37 (1 7/16")	47 (1 7/8")
Diameter of pulley steps (see page 22)	mm (in.)	75-100-125 (2 15/16-3 15/16-4 15/16")	75-100-125 (2 15/16-3 15/16-4 15/16")	75-100-125 (2 15/16-3 15/16-4 15/16")	100-126 (3 15/16-5")
* For specifications of other collets see page 33					
<b>Carriages</b>					
		screw-operated	lever-operated	cutting off	
Stroke of longitudinal slide	mm (in.)	90 (3 1/2")	{ without stop: 90 (3 1/2") with stop: 65 (2 9/16")	—	
Stroke of transverse slide	mm (in.)	100 (3 15/16")	60 (2 3/8")	—	
Stroke of slide (lever-operated)	mm (in.)	—	—	90 (3 1/2")	
Swing over carriage	mm (in.)	120 (4 3/4")	120 (4 3/4")	85 (3 3/8")	
Height of centres above carriage:					
— on longitudinal slide	mm (in.)	20 (3/16")	20 (3/16")	—	
— on transverse slide	mm (in.)	62 (2 7/16")	62 (2 7/16")	—	
Width of dovetail on transverse slide	mm (in.)	94 (3 3/4")	94 (3 3/4")	—	
Dimensions of tools	mm (in.)	10 x 12 (3/32 x 15/32")	10 x 12 (3/32 x 15/32")	10 x 12 (3/32 x 15/32")	
<b>Turret carriage</b>					
Diameter of 6 holes in turret	mm (in.)	—	—	20 (3/16")	
Effective stroke	mm (in.)	—	—	80 (3 1/8")	
<b>Tailstocks</b>					
Internal spindle taper		No. 2 Morse	lever-operated	starwheel-operated	
Spindle bore for collets	mm (in.)	—	W20 20 (3/16")	W25 25 (1")	W20 20 (3/16")
Spindle stroke	mm (in.)	80 (3 1/8")	W25 100 (3 15/16")	W25 100 (3 15/16")	W25 150 (5 7/8")
<b>Weight (with standard equipment)</b>					
Net	kg (lbs)	85 (190)	90 (200)	110 (245)	
Gross	kg (lbs)	120 (265)	125 (275)	145 (320)	
<b>Overall dimensions (length - depth - height)</b>					
	cm (in.)	113 x 40 x 38 (44 1/2 x 15 3/4 x 15")	135 x 51 x 38 (53 1/4 x 20 x 15")	117 x 43 x 46 (46 x 17 x 18")	
<b>Packing</b>					
Dimensions	cm (in.)	105 x 50 x 50 (41 1/2 x 20 x 20")	105 x 50 x 50 (41 1/2 x 20 x 20")	105 x 50 x 50 (41 1/2 x 20 x 20")	
Weight	kg (lbs)	35 (80)	35 (80)	35 (80)	
<b>Base</b>					
		design			
		with tray		with bench	
		102-80		102-82	
Weight	kg (lbs)	274 (605)		265 (585)	
Overall dimensions (length - depth - height)	cm (in.)	135 x 48 x 88 (53 1/4 x 18 7/8 x 34 3/4")		135 x 50 x 88 (53 1/4 x 20 x 34 3/4")	
Packing (dimensions of case)	cm (in.)	175 x 90 x 150 (69 x 35 1/2 x 59")		175 x 90 x 150 (69 x 35 1/2 x 59")	
(weight of case)	kg (lbs)	150 (330)		150 (330)	

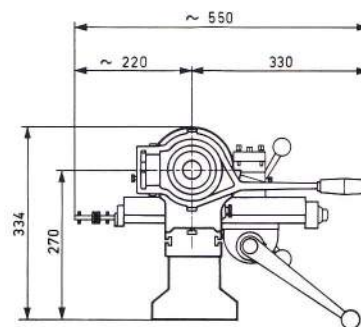
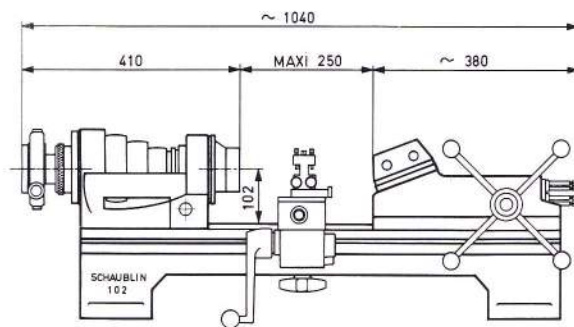


\* [445 (17 1/2"), with headstock with reduction unit 102-26 or 102-32]

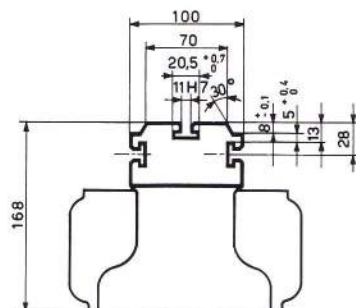
**SCHAUBLIN  
TO-102**



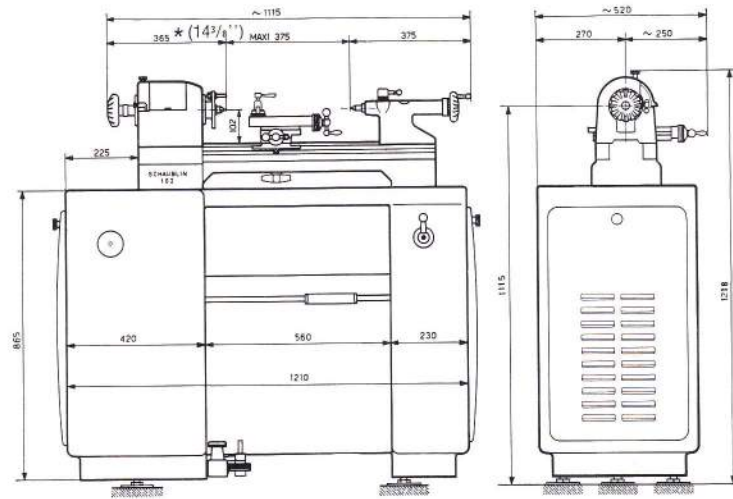
**SCHAUBLIN  
TL-102**



**SCHAUBLIN  
TR-102**

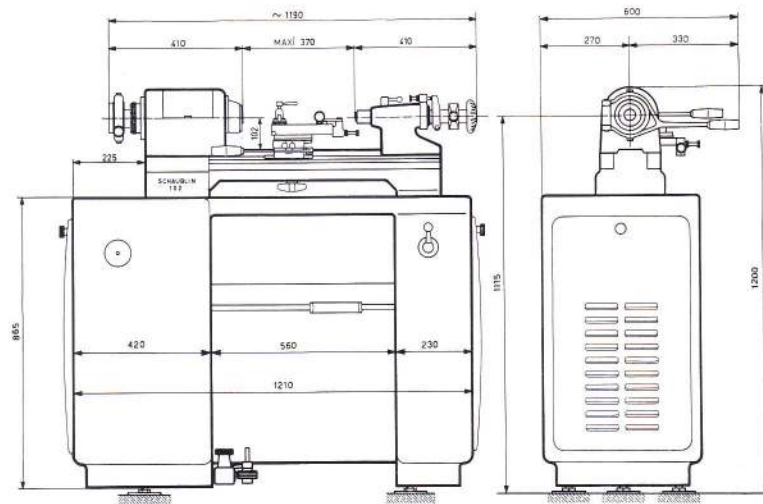


**Profile of 102 bed**

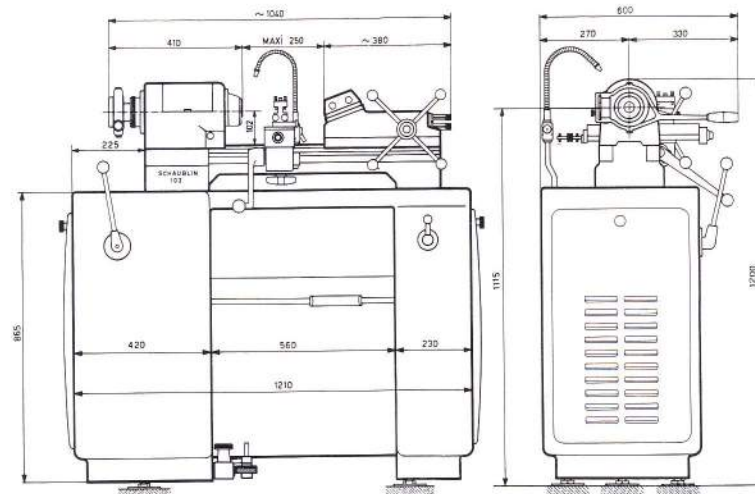


\* [445 (17 1/2")], with headstock with reduction unit 102-27 or 102-33]

**SCHAUBLIN**  
**TO-102-80**



**SCHAUBLIN**  
**TL-102-80**



**SCHAUBLIN**  
**TR-102-80**

