

17D

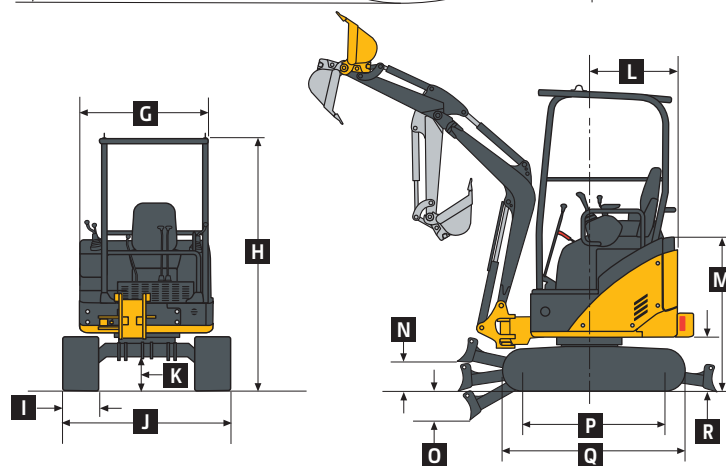
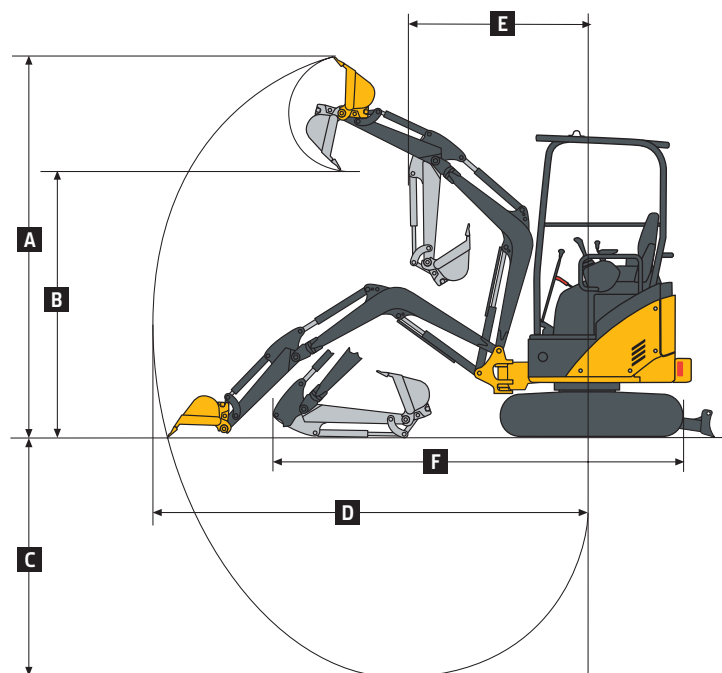


Engine		17D
Manufacturer and Model	Yanmar 3TNV70	
Non-Road Emission Standard	EPA Final Tier 4/EU Stage IV	
Displacement	0.85 L (52 cu. in.)	
Net Power (ISO 9249)	11.0 kW (14.8 hp) at 2,400 rpm	
Powertrain		
Each track independently driven by hydrostatic axial-piston motor connected to 2-stage planetary gear-reduction box		
Travel Speed (maximum)		
Low	2.4 km/h (1.5 mph)	
High	4.3 km/h (2.7 mph)	
Swing Speed	8.9 rpm	
Swing Brake	Spring applied, hydraulically released, automatic	
Hydraulics		
Open center with 2 variable-displacement pumps and 1 fixed-gear pump		
Pump Flow		
Piston	2 x 19.2 L/m (2 x 5.1 gpm)	
Gear	12.5 L/m (3.3 gpm)	
Auxiliary Flow	31.7 L/m (8.4 gpm)	
Controls	Hydraulic pilot-operated for boom, arm, bucket, swing, boom swing, blade, travel, and auxiliary functions	
Electrical		
Alternator Rating	40 amp	
Work Lights	1 mounted on boom	
Undercarriage		
Planetary final drive; 2-speed axial-piston propel motors		
Tracks, Rubber	230 mm (9 in.)	
Ground Pressure (with rubber track)	28 kPa (4.1 psi)	
Upperstructure		
Independent Swing Boom		
Left	70 deg.	
Right	50 deg.	
Counterweight		
Standard	230 kg (507 lb.)	
Optional	80 kg (176 lb.)	
Tailswing Counterweight		
Standard	35 mm (1 in.)	
Optional	115 mm (5 in.)	
Serviceability		
Refill Capacities		
Fuel Tank	19.5 L (5.2 gal.)	
Engine Oil with Filter	3.1 L (3.3 qt.)	
Hydraulic Tank	20.2 L (5.3 gal.)	
Operating Weights		
	<i>0.93-m (3 ft. 1 in.) Standard Arm and Standard Counterweight</i>	<i>1.13-m (3 ft. 8 in.) Long Arm and Extra Counterweight</i>
With Full Fuel Tank and 79-kg (175 lb.) Operator		
With Rubber Track	1893 kg (4,173 lb.)	1979 kg (4,364 lb.)
With Steel Track	1959 kg (4,319 lb.)	2045 kg (4,508 lb.)



Operating Dimensions		17D	0.93-m (3 ft. 1 in.) Standard Arm and Standard Counterweight	1.13-m (3 ft. 8 in.) Long Arm and Extra Counterweight
A	Maximum Digging Height	3.56 m (11 ft. 8 in.)	3.56 m (11 ft. 8 in.)	3.66 m (12 ft. 0 in.)
B	Maximum Dumping Height	2.53 m (8 ft. 4 in.)	2.53 m (8 ft. 4 in.)	2.63 m (8 ft. 8 in.)
C	Maximum Digging Depth	2.17 m (7 ft. 1 in.)	2.17 m (7 ft. 1 in.)	2.37 m (7 ft. 9 in.)
D	Maximum Digging Reach	3.90 m (12 ft. 10 in.)	3.90 m (12 ft. 10 in.)	4.08 m (13 ft. 5 in.)
E	Minimum Front Swing Radius	1.54 m (5 ft. 1 in.)	1.54 m (5 ft. 1 in.)	1.63 m (5 ft. 4 in.)
F	Transport Length	3.59 m (11 ft. 9 in.)	3.59 m (11 ft. 9 in.)	3.64 m (11 ft. 11 in.)
Breakout Force				
	Bucket	16.0 kN (3,597 lb.)	16.0 kN (3,597 lb.)	16.0 kN (3,597 lb.)
	Arm	10.3 kN (2,316 lb.)	10.3 kN (2,316 lb.)	9.1 kN (2,046 lb.)

Machine Dimensions	
Blade Width	
	Minimum 0.98 m (3 ft. 3 in.)
	Maximum 1.28 m (4 ft. 2 in.)
	Blade Height 260 mm (10.2 in.)
G	Upperstructure Width 0.98 m (3 ft. 3 in.)
H	Overall Height to Roof 2.40 m (7 ft. 10 in.)
I	Track Width 230 mm (9 in.)
J Undercarriage Width	
	Minimum 0.97 m (3 ft. 2 in.)
	Maximum 1.28 m (4 ft. 2 in.)
K Ground Clearance	
	Rubber Track 165 mm (6.5 in.)
	Steel Track 145 mm (5.7 in.)
L Tail Swing Radius	
	Standard Arm 675 mm (27 in.)
	Long Arm 755 mm (30 in.)
M	Engine Cover Height 1.23 m (4 ft. 0 in.)
N	Maximum Blade Lift Above Ground 285 mm (11.2 in.)
O	Maximum Blade Drop Below Ground 240 mm (9.4 in.)
P Sprocket Center To Idler Center	
	Rubber Track 1.21 m (4 ft. 0 in.)
	Steel Track 1.20 m (3 ft. 11 in.)
Q Track Length	
	Rubber Track 1.57 m (5 ft. 2 in.)
	Steel Track 1.55 m (5 ft. 1 in.)
R Counterweight Clearance	
	Rubber Track 435 mm (17 in.)
	Steel Track 415 mm (16 in.)



Lift Capacities	0.93-m (3 ft. 1 in.) Standard Arm, Standard Counterweight, and Rubber Track	1.13-m (3 ft. 8 in.) Long Arm, Extra Counterweight, and Rubber Track	0.93-m (3 ft. 1 in.) Standard Arm, Standard Counterweight, and Steel Track	1.13-m (3 ft. 8 in.) Long Arm, Extra Counterweight, and Steel Track
Ground Level at 3.05-m (10 ft.) Radius				
Over Front, Blade Down (limited by hydraulics)	444 kg (979 lb.)	437 kg (963 lb.)	444 kg (979 lb.)	437 kg (963 lb.)
Over Side	227 kg (500 lb.)	254 kg (559 lb.)	238 kg (524 lb.)	264 kg (583 lb.)

27D

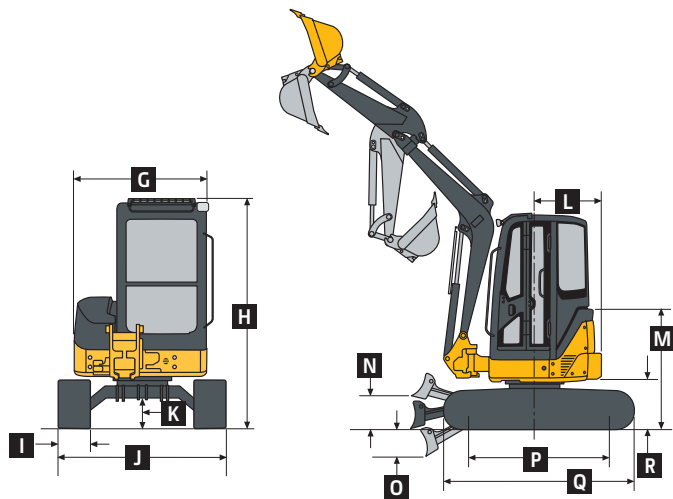
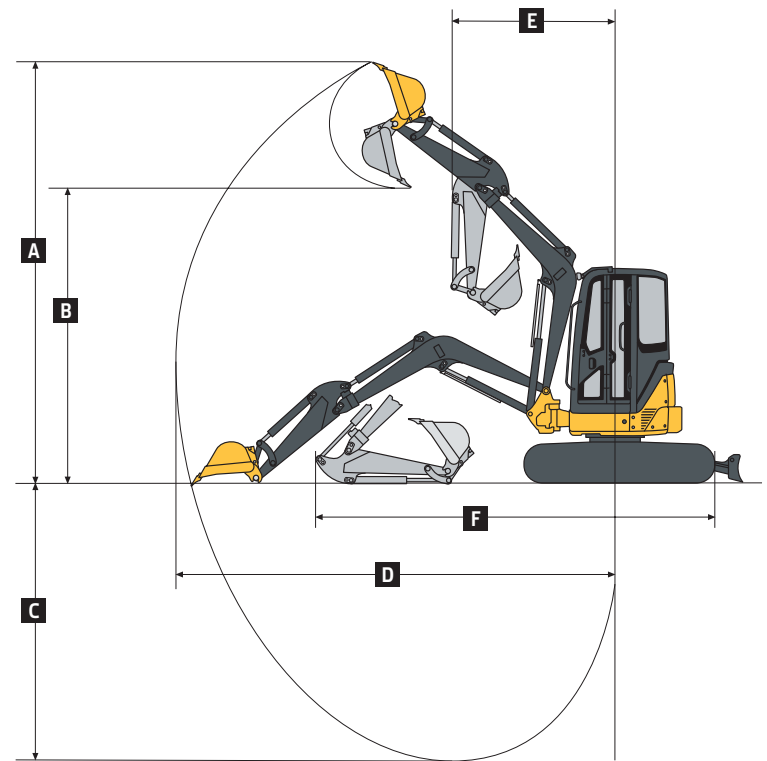


Engine		27D			
Manufacturer and Model	Yanmar 3TNV88				
Non-Road Emission Standard	EPA Interim Tier 4/EU Stage IIIB				
Displacement	1.6 L (100 cu. in.)				
Net Power (ISO 9249)	19.7 kW (26.4 hp) at 2,200 rpm				
Powertrain		Each track independently driven by hydrostatic axial-piston motor connected to 2-stage planetary gear-reduction box			
Travel Speed (maximum)					
Low	2.6 km/h (1.6 mph)				
High	4.5 km/h (2.8 mph)				
Swing Speed	9.1 rpm				
Swing Brake	Spring applied, hydraulically released, automatic				
Hydraulics		Open center with 2 variable-displacement pumps and 1 fixed-gear pump			
Pump Flow					
Piston	2 x 31.0 L/m (2 x 8.2 gpm)				
Gear	16.7 L/m (4.4 gpm)				
Auxiliary Flow	52.6 L/m (13.9 gpm)				
Controls	Hydraulic pilot-operated for boom, arm, bucket, swing, boom swing, blade, and travel				
Electrical		40 amp			
Alternator Rating	40 amp				
Work Lights	2 halogen: 1 mounted on operator's station and 1 mounted on boom				
Undercarriage		2-speed axial-piston propel motors			
Tracks, Rubber		300 mm (12 in.)			
Ground Pressure		1.17-m (3 ft. 10 in.)	1.17-m (3 ft. 10 in.)	1.47-m (4 ft. 10 in.)	1.47-m (4 ft. 10 in.)
		<i>Standard Arm, Canopy, and Standard Counterweight</i>	<i>Standard Arm, Cab, and Standard Counterweight</i>	<i>Long Arm, Canopy, and Extra Counterweight</i>	<i>Long Arm, Cab, and Extra Counterweight</i>
With Rubber Track	28.0 kPa (4.06 psi)	30.0 kPa (4.35 psi)	30.9 kPa (4.49 psi)	34.6 kPa (5.02 psi)	
Upperstructure		Independent Swing Boom			
		1.17-m (3 ft. 10 in.)	1.17-m (3 ft. 10 in.)	1.47-m (4 ft. 10 in.)	1.47-m (4 ft. 10 in.)
		<i>Standard Arm, Canopy, and Standard Counterweight</i>	<i>Standard Arm, Cab, and Standard Counterweight</i>	<i>Long Arm, Canopy, and Extra Counterweight</i>	<i>Long Arm, Cab, and Extra Counterweight</i>
Left	72 deg.	62 deg.	72 deg.	62 deg.	
Right	62 deg.	62 deg.	62 deg.	62 deg.	
Counterweight					
Standard	292 kg (644 lb.)				
Additional	190 kg (420 lb.)				
Serviceability		Refill Capacities			
Fuel Tank		40 L (10.6 gal.)			
Cooling System		5.0 L (5.3 qt.)			
Engine Oil with Filter		7.2 L (7.6 qt.)			
Hydraulic Tank		32 L (8.5 gal.)			
Operating Weights		1.17-m (3 ft. 10 in.)	1.17-m (3 ft. 10 in.)	1.47-m (4 ft. 10 in.)	1.47-m (4 ft. 10 in.)
		<i>Standard Arm, Canopy, and Standard Counterweight</i>	<i>Standard Arm, Cab, and Standard Counterweight</i>	<i>Long Arm, Canopy, and Extra Counterweight</i>	<i>Long Arm, Cab, and Extra Counterweight</i>
With Full Fuel Tank and 79-kg (175 lb.) Operator	2887 kg (6,358 lb.)	3055 kg (6,730 lb.)	3060 kg (6,739 lb.)	3228 kg (7,111 lb.)	



Operating Dimensions		27D			
		1.17-m (3 ft. 10 in.) Standard Arm, Canopy, and Standard Counterweight	1.17-m (3 ft. 10 in.) Standard Arm, Cab, and Standard Counterweight	1.47-m (4 ft. 10 in.) Long Arm, Canopy, and Extra Counterweight	1.47-m (4 ft. 10 in.) Long Arm, Cab, and Extra Counterweight
A	Maximum Digging Height	4.45 m (14 ft. 7 in.)	4.28 m (14 ft. 1 in.)	4.55 m (14 ft. 11 in.)	4.35 m (14 ft. 3 in.)
B	Maximum Dumping Height	3.19 m (10 ft. 6 in.)	3.03 m (9 ft. 11 in.)	3.30 m (10 ft. 10 in.)	3.12 m (10 ft. 3 in.)
C	Maximum Digging Depth	2.59 m (8 ft. 6 in.)	2.59 m (8 ft. 6 in.)	2.89 m (9 ft. 6 in.)	2.89 m (9 ft. 6 in.)
D	Maximum Digging Reach	4.67 m (15 ft. 4 in.)	4.67 m (15 ft. 4 in.)	4.92 m (16 ft. 2 in.)	4.92 m (16 ft. 2 in.)
E	Minimum Front Swing Radius	1.96 m (6 ft. 5 in.)	2.05 m (6 ft. 9 in.)	2.04 m (6 ft. 8 in.)	2.10 m (6 ft. 11 in.)
F	Transport Length	4.20 m (13 ft. 9 in.)	4.28 m (14 ft. 1 in.)	4.20 m (13 ft. 9 in.)	4.28 m (14 ft. 1 in.)
Breakout Force					
	Bucket	22.2 kN (4,994 lb.)	22.2 kN (4,994 lb.)	22.2 kN (4,994 lb.)	22.2 kN (4,994 lb.)
	Arm	15.2 kN (3,410 lb.)	15.2 kN (3,410 lb.)	13.2 kN (2,970 lb.)	13.2 kN (2,970 lb.)

Machine Dimensions		
	Blade Width	1.55 m (5 ft. 1 in.)
	Blade Height	360 mm (14.2 in.)
G	Upperstructure Width	1.55 m (5 ft. 1 in.)
H	Overall Height	
	Canopy	2.46 m (8 ft. 1 in.)
	Cab	2.50 m (8 ft. 2 in.)
I	Track Width	305 mm (12 in.)
J	Undercarriage Width	1.55 m (5 ft. 1 in.)
K	Ground Clearance	320 mm (12.6 in.)
L	Tail Swing Radius	
	Standard Arm	775 mm (31 in.)
	Long Arm with Extra Counterweight	870 mm (34 in.)
M	Engine Cover Height	1.42 m (4 ft. 8 in.)
N	Maximum Blade Lift Above Ground	360 mm (14 in.)
O	Maximum Blade Drop Below Ground	315 mm (12 in.)
P	Sprocket Center To Idler Center	1.49 m (4 ft. 11 in.)
Q	Track Length	1.95 m (6 ft. 5 in.)
R	Counterweight Clearance	550 mm (22 in.)



Lift Capacities		27D			
Ground Level at 3.05-m (10 ft.) Radius		1.17-m (3 ft. 10 in.) Standard Arm, Canopy, and Standard Counterweight	1.17-m (3 ft. 10 in.) Standard Arm, Cab, and Standard Counterweight	1.47-m (4 ft. 10 in.) Long Arm, Canopy, and Extra Counterweight	1.47-m (4 ft. 10 in.) Long Arm, Cab, and Extra Counterweight
	Over Front, Blade Down (limited by hydraulics), with Rubber or Steel Track	1160 kg (2,554 lb.)	1160 kg (2,554 lb.)	1114 kg (2,453 lb.)	1114 kg (2,453 lb.)
	Over Side				
	With Rubber Track	410 kg (902 lb.)	440 kg (970 lb.)	490 kg (1,079 lb.)	521 kg (1,147 lb.)
	With Steel Track	427 kg (941 lb.)	458 kg (1,009 lb.)	508 kg (1,119 lb.)	538 kg (1,186 lb.)

Additional equipment

Key: ● Standard ▲ Optional or special

See your John Deere dealer for further information.

17D	27D	Engine
●		Meets EPA Final Tier 4/EU Stage IV emissions
	●	Meets EPA Interim Tier 4/EU Stage IIIB emissions
●	●	Engine coolant to -37 deg. C (-34 deg. F)
●	●	Engine preheater
●	●	Fan guard
●	●	Fuel/water separator
●	●	Full-flow oil filter
●	●	Isolation mounted
●	●	Key start switch with electric fuel shutoff
●	●	Single dry-type air filter
●	●	Under-hood muffler
		Hydraulic System
●		Auxiliary function foot control
	●	Auxiliary function right-hand pilot-lever control
●	●	Auxiliary hydraulic lines with quick-couplers to end of boom
●	●	Auxiliary return-flow selector valve
●	●	Axial-piston swing motor
●	●	Boom-swing foot control
●	●	Excavator-to-backhoe control pattern change valve
●	●	Open center with 2 variable-displacement pumps and 1 fixed-gear pump
●	●	Hydraulic pilot-operated controls for boom, arm, bucket, swing, boom swing, blade, and travel
●	●	Wet-disc swing brake
		Undercarriage
●		Hydraulic-adjustable variable width
●	●	Planetary final drive
●	●	Propel motor shield
●	●	2-speed axial-piston propel motors
●		Rubber track, 230 mm (9 in.)
	●	Rubber track, 300 mm (12 in.)

17D	27D	Undercarriage (continued)
▲		Steel track, 230 mm (9 in.) with triple semi-grousers
	▲	Steel track, 300 mm (12 in.) with triple semi-grousers
▲		Rubber crawler pad, 230 mm (9 in.)
	▲	Rubber crawler pad, 300 mm (12 in.)
		Upperstructure
●	●	360-deg. rotation
●	●	Counterweight, 230 kg (507 lb.)
	●	Counterweight, 292 kg (644 lb.)
●	●	Hinged service-access doors
●	●	Toolbox (canopy)
●	●	ROPS/TOPS/FOPS (canopy)
	▲	ROPS/TOPS/FOPS cab with air conditioning and heater
	●	Vandal protection for service doors, fuel cap, and toolbox
●		Reduced-tail-swing configuration
	●	Zero-tail-swing configuration
		Front Attachments
●		Arm, 0.93 m (3 ft. 1 in.)
●		Arm, 1.17 m (3 ft. 10 in.)
▲		Long arm, 1.13 m (3 ft. 8 in.), includes additional 80-kg (176 lb.) counterweight
	▲	Long arm, 1.47 m (4 ft. 10 in.), includes additional 190-kg (420 lb.) counterweight
●	●	Articulation hose shield
●		Backfill blade, 0.98 m (3 ft. 3 in.) minimum to 1.28 m (4 ft. 2 in.) maximum
	●	Backfill blade, 1.55 m (5 ft. 1 in.)
●		Boom, 1.82 m (6 ft.)
	●	Boom, 2.10 m (6 ft. 10.5 in.)
●	●	Mechanical quick-coupler
	▲	Augers: Chain drive / Bits / Bit adapters
	▲	Augers: Planetary / Chain drive / Bits / Bit adapters
▲	▲	Clamp

17D	27D	Front Attachments (continued)
▲	▲	Hammers: Points / Tools
▲	▲	Quick-coupler buckets: Bucket teeth / Ditching / Heavy-duty
		Operator's Station
●	●	Horn
●	●	Hour meter
●	●	Instrumentation lights
●	●	Monitor system: Preheat indicator / Engine oil pressure indicator with alarm / Alternator voltage indicator / Fuel gauge and low-fuel-level indicator / Engine coolant temperature gauge and engine coolant temperature indicator with alarm / Hour meter / Work lights indicator
●	●	Motion alarm with cancel switch
●	●	Work lights switch
●		Propel levers
	●	Propel levers and foldable pedals
●		2 travel speeds
	●	2 travel speeds with automatic shifting
●	●	Seat belt, 51 mm (2 in.), retractable
▲	▲	Seat belt, 76 mm (3 in.), retractable
●	●	Vinyl seat with fore/aft adjustment
	▲	Suspension seat
▲	▲	Front screen
	▲	Rear secondary exit kit
		Electrical
●	●	12-volt accessory outlet
●	●	Alternator, 40 amp
●	●	Low-maintenance battery
●	●	Blade-type multi-fused circuits
●	●	Positive-terminal battery covers
▲	▲	JDLINK™ wireless communication system (available in specific countries; see your dealer for details)
		Lights
●		Work lights: 1 mounted on boom
	●	Work lights: Halogen / 1 mounted on operator's station / 1 mounted on boom

Net engine power is with standard equipment including air cleaner, exhaust system, alternator, and cooling fan at test conditions per ISO 9249. These machines are not equipped with spark-arrestor mufflers. Usage in forestry applications is not recommended. Specifications and design subject to change without notice. Wherever applicable, specifications are in accordance with SAE standards. Except where otherwise noted, these specifications are based on canopy units with standard arms; full fuel tanks; and 79-kg (175 lb.) operators; 17D unit with 450-mm (17.7 in.), 0.04-m³ (1.5 cu. ft.) bucket, 230-mm (9 in.) rubber track, and 230-kg (507 lb.) counterweight; and 27D unit with 457-mm (18 in.), 0.7-m³ (2.3 cu. ft.) bucket, 300-mm (12 in.) rubber track, and 292-kg (644 lb.) counterweight.

